

- GPS, RF SAW Filter
- Preliminary: January 2014

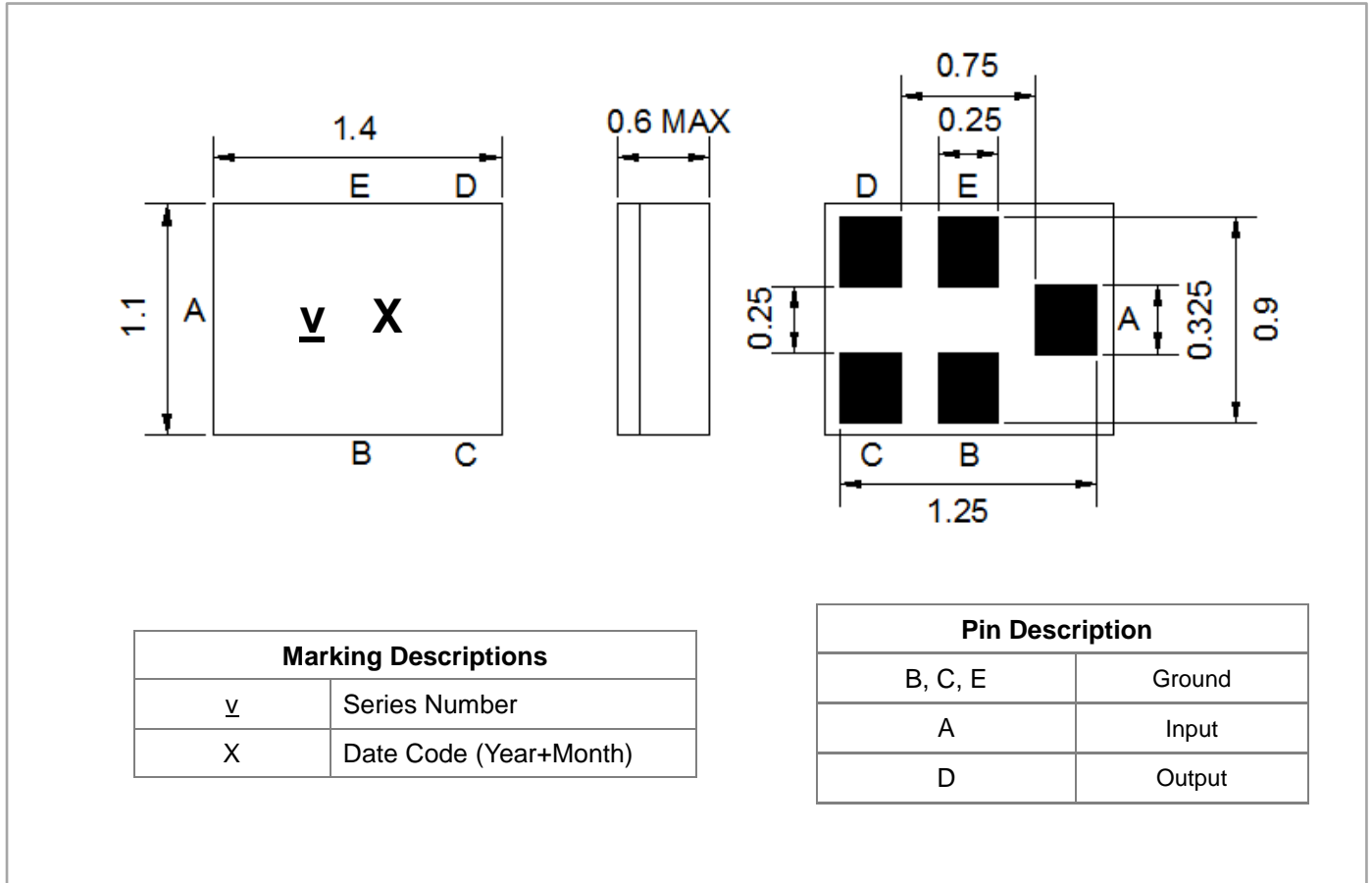
Electrical Characteristics

MAXIMUM RATING				
PARAMETERS DESCRIPTION	UNIT	MINIMUM	TYPICAL	MAXIMUM
Operating Temperature Range	°C	-30	-	+85
Storage Temperature Range	°C	-40	-	+85
Maximum DC Voltage	V	-	-	3
Maximum Input Power	dBm	-	-	15
Source Impedance (single ended) ⁽¹⁾	Ω	-	50	-
Load Impedance (single ended) ⁽¹⁾	Ω	-	50	-
Package type & size	C23			
Length x Width	mm ²	-	1.4 x 1.1	-
Height	mm	-	-	0.6

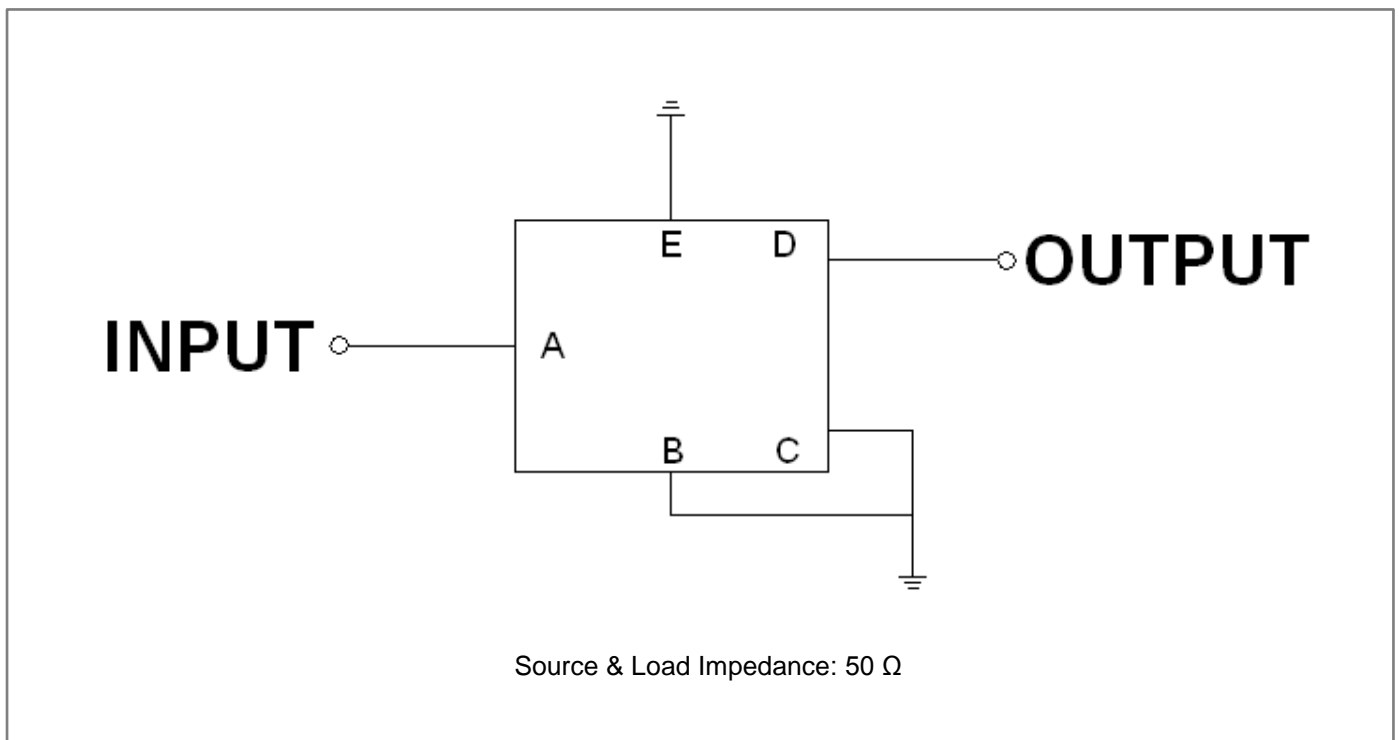
ELECTRICAL SPECIFICATION				
PARAMETERS DESCRIPTION	UNIT	MINIMUM	TYPICAL	MAXIMUM
Center Frequency (Fo)	MHz	-	1575.42	-
Insertion Loss within 1574.42~1576.42 MHz	dB	-	0.8	1.3
Amplitude Ripple within 1574.42~1576.42 MHz	dB _{p-p}	-	0.02	0.6
Attenuation:				
824.0 ~ 849.0 MHz	dB	40	45	-
880.0 ~ 915.0 MHz	dB	40	45	-
1475.42 MHz	dB	40	45	-
1525.42 MHz	dB	30	35	-
1625.42 MHz	dB	45	53	-
1675.42 MHz	dB	45	55	-
1710.0 ~ 1785.0 MHz	dB	45	55	-
1850.0 ~ 1910.0 MHz	dB	40	50	-
1920.0 ~ 1980.0 MHz	dB	35	48	-
2400.0 ~ 2500.0 MHz	dB	30	38	-
VSWR within 1574.42~1576.42 MHz	-	-	1.15	1.8

Notes: (1) No Matching Network (Ref. Testing Environment Circuit as shown below).

Package Dimensions

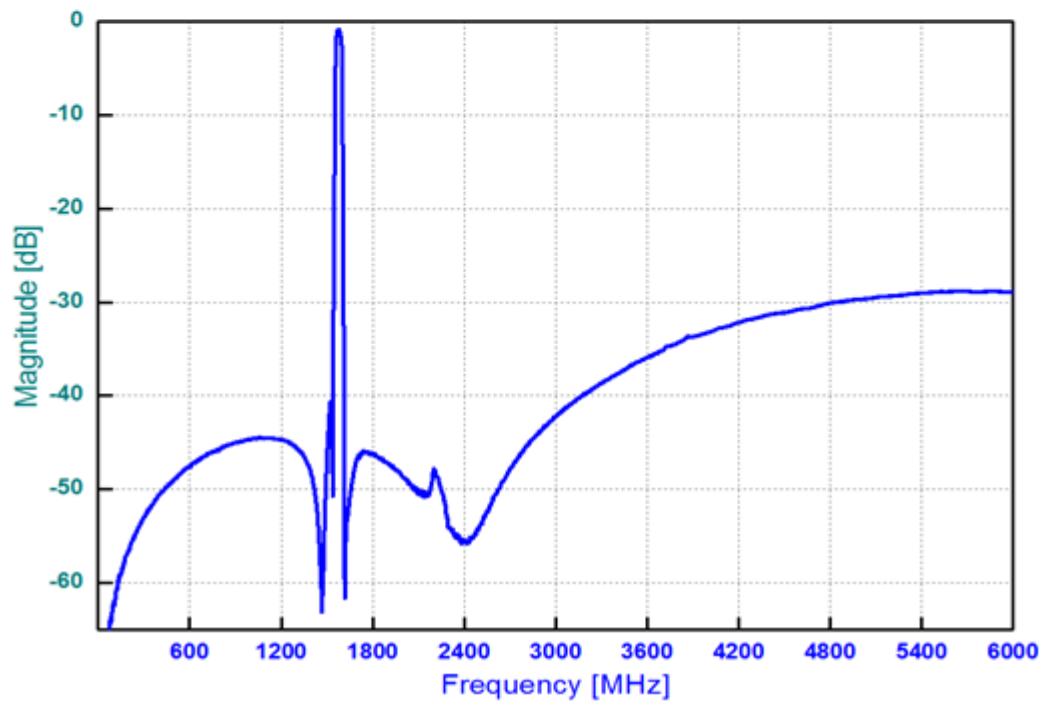
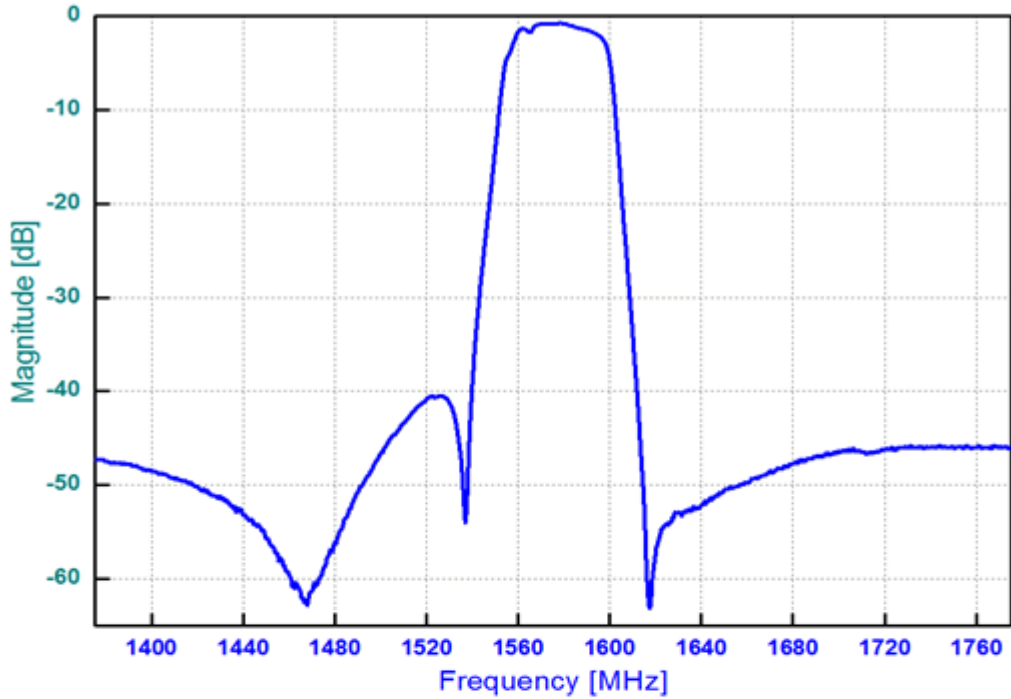


Testing Environment

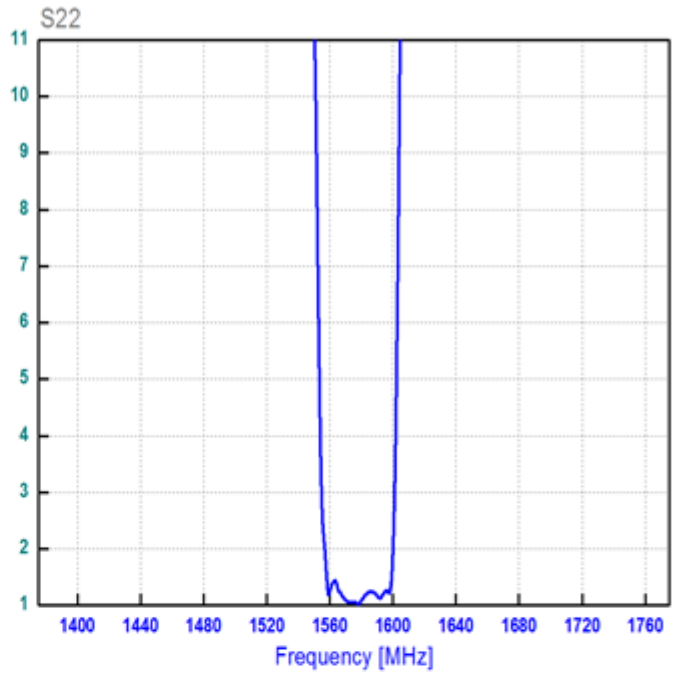
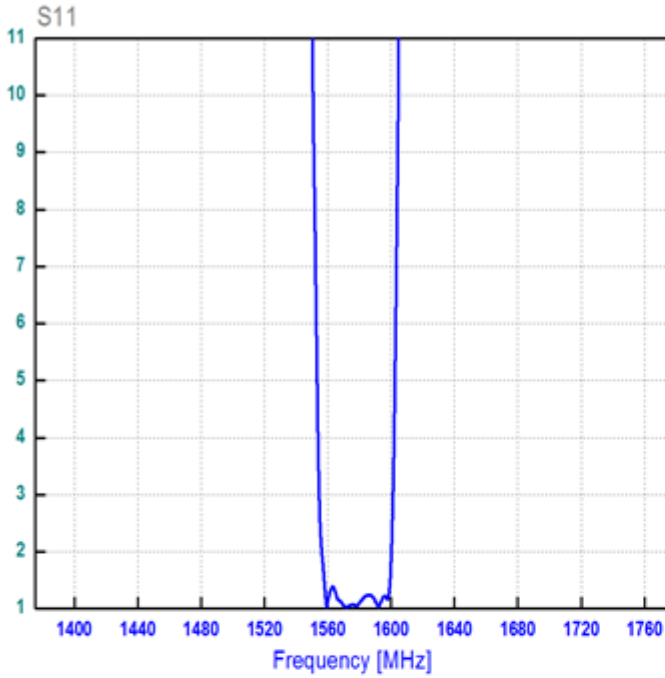


Frequency Characteristics

Frequency Response



VSWR



Smith Chart

